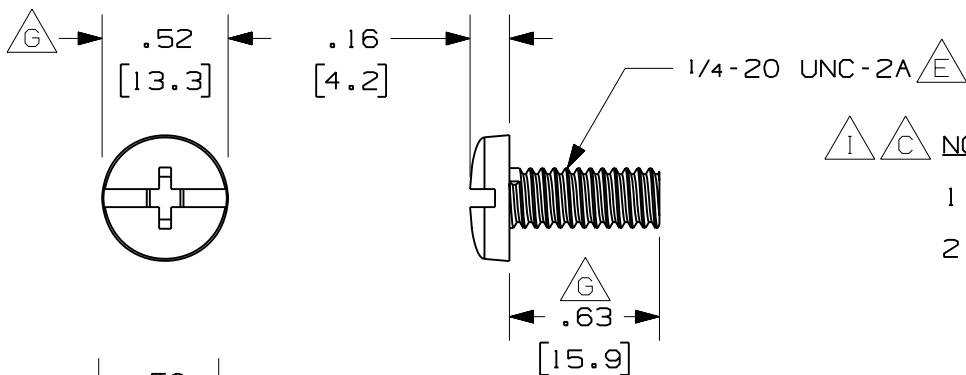


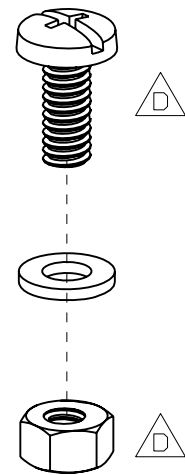
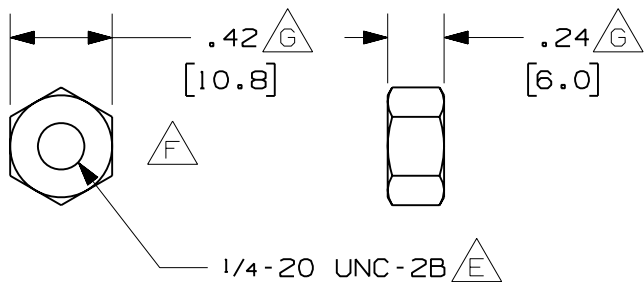
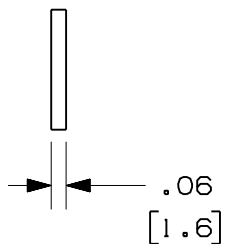
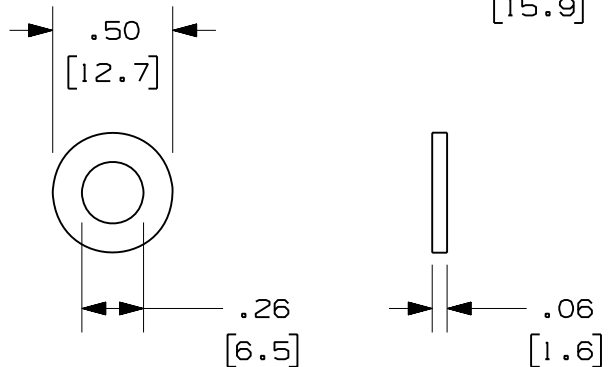
THIS COPY IS PROVIDED ON A RESTRICTED BASIS AND IS NOT TO BE USED IN ANY WAY DETRIMENTAL TO THE INTERESTS OF PANDUIT CORP.



PANDUIT PART NUMBER	WEIGHT
F14PN-L	0.16 LB/50 PCS (73g/50 PCS)

△ I △ C NOTES:

- SEE CURRENT CATALOG FOR ADDITIONAL PART SUFFIXES TO INDICATE PACKAGE QUANTITY.
- THE FIBER ROUTING 1/4-20 PLASTIC HEX NUT AND SCREW KIT INCLUDES:
FIFTY (50) 1/4-20 NYLON COMBINATION BINDING HEAD MACHINE SCRES,
FIFTY (50) 1/4-20 NYLON HEX MACHINE SCREW NUTS,
FIFTY (50) .257x.50x.062 NYLON FLAT WASHERS.
- DIMENSIONS IN PARENTHESES ARE IN METRIC.



△ H ENG. REF.: D37291BW_DC_F14PN-L_02.prt

CAD FILENAME/LAYERS △ A F14PN-L.pdf

2	6-16-06	MSO	RN	I. REVISED GENERAL NOTES. H. REVISED CAD FILENAME.	37291-20	RN	RN		
-	-----	---	---	G. REVISED DIMENSIONS.	-----	---	---		
-	-----	---	---	F. REMOVED DIMENSIONS. E. REVISED LOCAL NOTES.	-----	---	---		
-	-----	---	---	D. REVISED PART GEOMETRY. C. REVISED GENERAL NOTES.	-----	---	---		
1	4-27-05	MSO	SMF	B. REVISED DRAWING TITLE. A. REVISED CAD FILENAME.	37291-20	RN	RN		
R	1-23-01	JHNU	LD	RELEASED TO PRODUCTION	37291-20	HIW	HIW		
REV	DATE	BY	CHK	DESCRIPTION	ECN	R	CUST	SUP	GMBH

PANDUIT CORP TINLEY PARK, ILLINOIS

FIBER ROUTING 1/4-20 PLASTIC HEX NUT AND SCREW KIT (F14PN-L)
CUSTOMER DRAWING

UNLESS OTHERWISE SPECIFIED, DIMENSIONAL TOLERANCES ARE:
(.X) ± (.XXX) ±
(.XX) ± .03 (.8) ANGLES ±

UNLESS OTHERWISE SPECIFIED, ALL DIMENSIONS ARE GIVEN IN INCHES, THIRD ANGLE PROJECTION.

DRAWN BY: JHNU
DATE: 1-23-01
CHK'D: LD

MAT'L: NYLON

SCALE: NONE

DRAWING NO.: 37291-20
DWG SIZE: A